



FORD PERFORMANCE

NO PART OF THIS DOCUMENT MAY BE REPRODUCED WITHOUT PRIOR AGREEMENT AND WRITTEN PERMISSION OF FORD PERFORMANCE PARTS

Please visit www.performanceparts.ford.com for the most current instruction and warranty information.

PLEASE READ ALL OF THE FOLLOWING INSTRUCTIONS CAREFULLY PRIOR TO INSTALLATION. AT ANY TIME YOU DO NOT UNDERSTAND THE INSTRUCTIONS, PLEASE CALL THE FORD PERFORMANCE TECHLINE AT 1-800-367-3788

Kit includes one shift knob

Note: Shift knob has interference fit threads. The threads may look damaged, but this is the design intent, to ensure a tight fit on the shifter shaft. They are not damaged, cross threaded or stripped.



INSTALLATION

Factory Ford shop manuals are available from Helm Publications, 1-800-782-4356



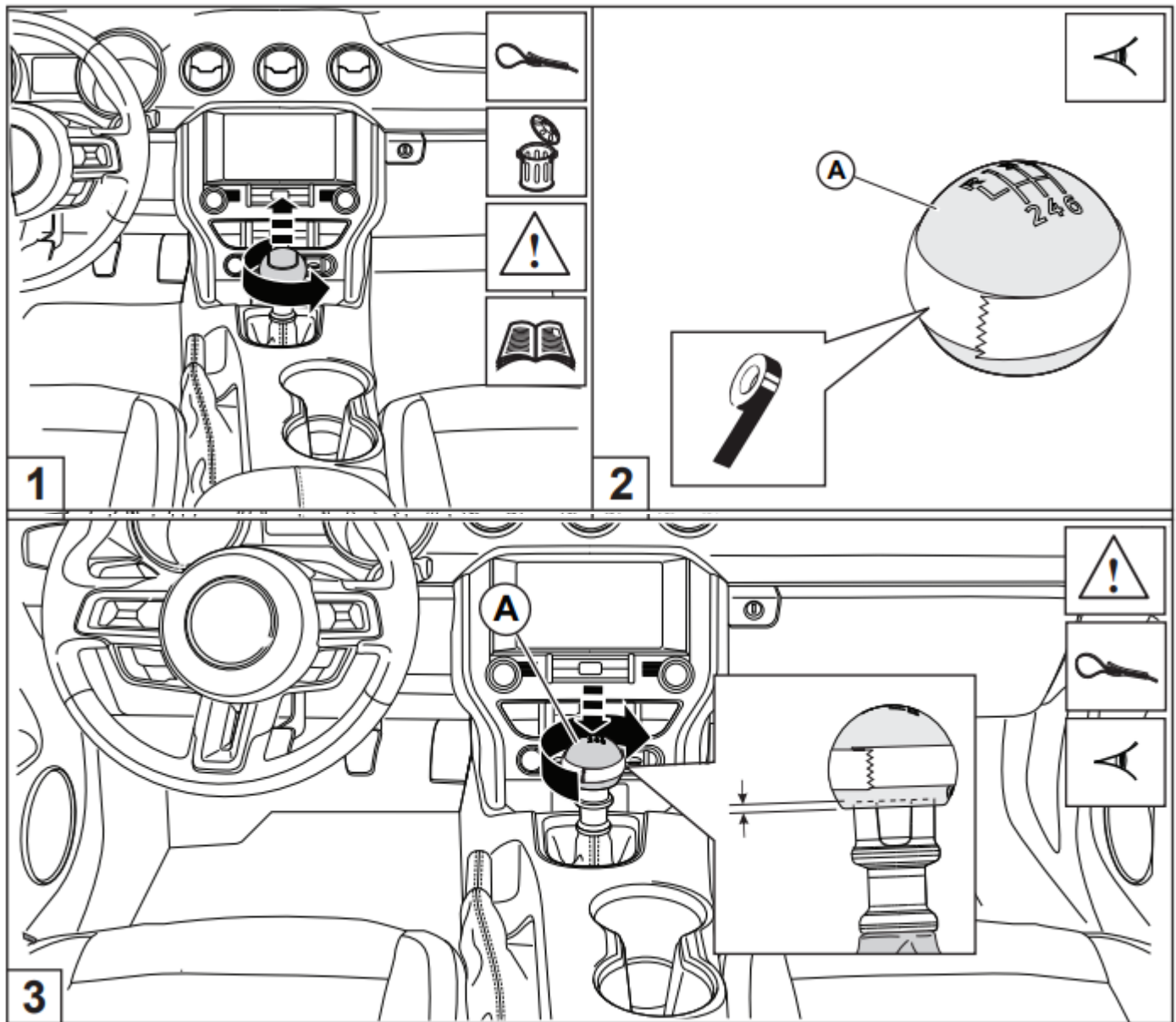
FORD PERFORMANCE

NO PART OF THIS DOCUMENT MAY BE REPRODUCED WITHOUT PRIOR AGREEMENT AND WRITTEN PERMISSION OF FORD PERFORMANCE PARTS

Apply tape to protect shift knob surface.

Install knob, turn approximately 5 full turns and confirm bottom of knob has passed below the top of the reverse lockout.

Confirm the reverse lockout still functions properly and discard tape.

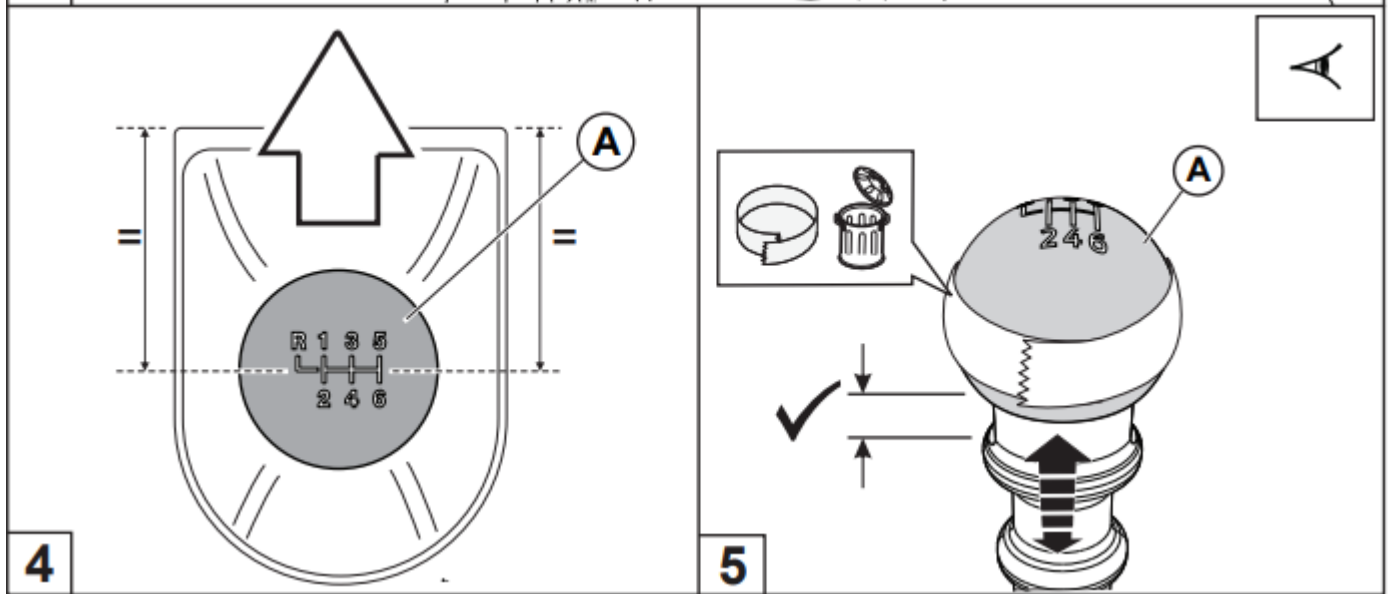


Factory Ford shop manuals are available from Helm Publications, 1-800-782-4356



FORD PERFORMANCE

NO PART OF THIS DOCUMENT MAY BE REPRODUCED WITHOUT PRIOR AGREEMENT AND WRITTEN PERMISSION OF FORD PERFORMANCE PARTS



Factory Ford shop manuals are available from Helm Publications, 1-800-782-4356



FORD PERFORMANCE

NO PART OF THIS DOCUMENT MAY BE REPRODUCED WITHOUT PRIOR AGREEMENT AND WRITTEN PERMISSION OF
FORD PERFORMANCE PARTS

Factory Ford shop manuals are available from Helm Publications, 1-800-782-4356



FORD PERFORMANCE

NO PART OF THIS DOCUMENT MAY BE REPRODUCED WITHOUT PRIOR AGREEMENT AND WRITTEN PERMISSION OF
FORD PERFORMANCE PARTS

Factory Ford shop manuals are available from Helm Publications, 1-800-782-4356